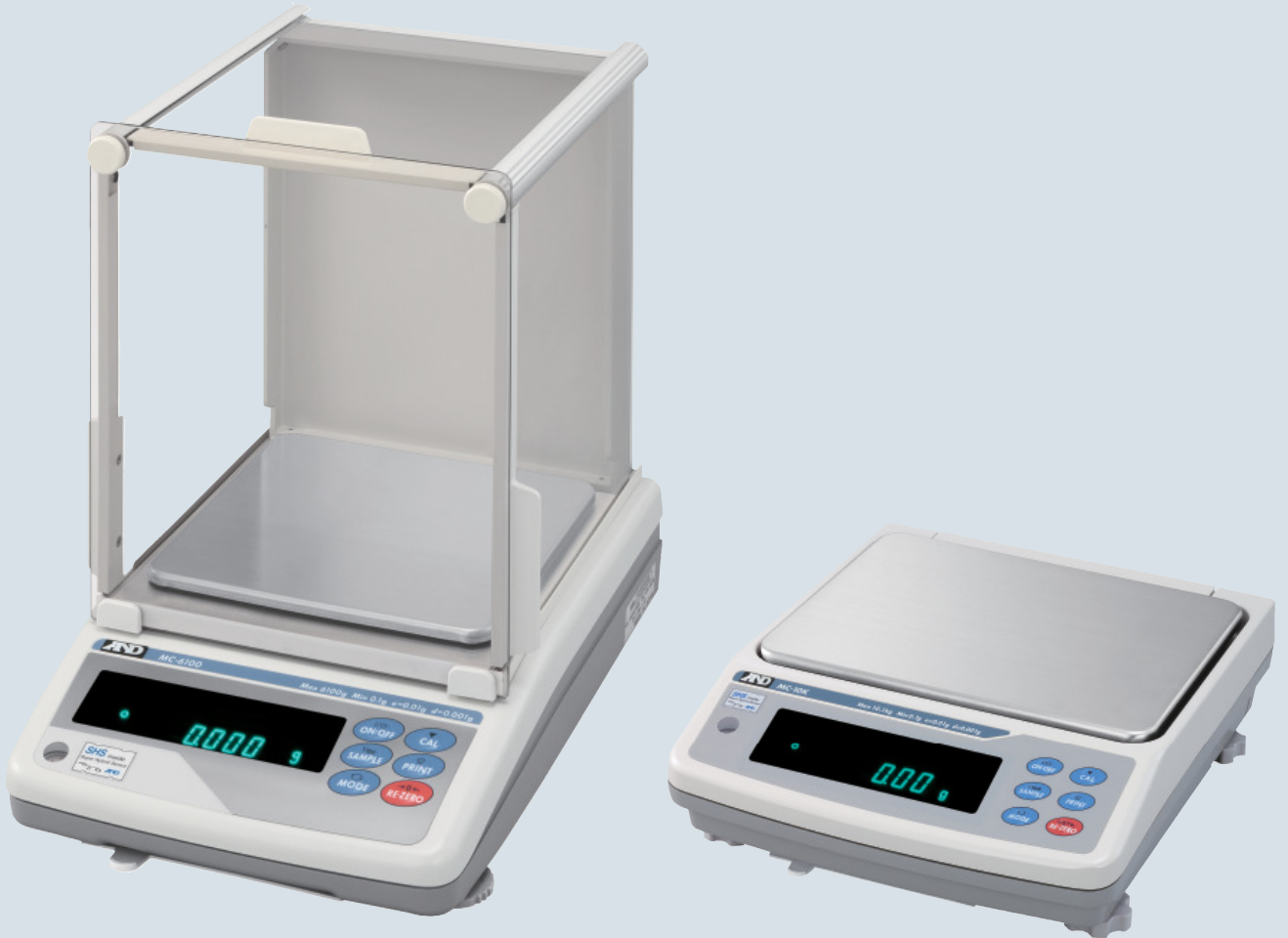


WEIGHING
A&D

MASS COMPARATORS



MC SERIES

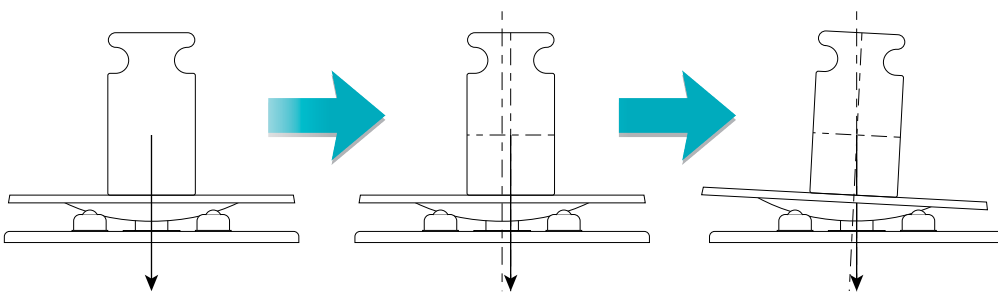
MASS COMPARATORS

For management of masses in ASTM Class 2-7 and OIML Class F1 and below

Equipped with an internal mass for simplified calibration of the balance.
Enhanced function settings reduce errors due to drafts and vibrations.

| Model | Applicable mass | 0.1g | 0.2g | 0.5g | 1g | 2g | 5g | 10g | 20g | 50g | 100g | 200g | 500g | 1kg | 2kg | 5kg | 10kg | 20kg |
|---------|-----------------|------|------|------|----|----|----|-----|-----|-----|------|------|------|-----|-----|-----|------|------|
| MC-1000 | 2 | | | | | | | | | | | | | | | | | |
| | 3 | | | | | | | | | | | | | | | | | |
| | 4 | | | | | | | | | | | | | | | | | |
| | 5 | | | | | | | | | | | | | | | | | |
| | 6 | | | | | | | | | | | | | | | | | |
| | 7 | | | | | | | | | | | | | | | | | |
| | MC-6100 | 2 | | | | | | | | | | | | | | | | |
| 3 | | | | | | | | | | | | | | | | | | |
| 4 | | | | | | | | | | | | | | | | | | |
| 5 | | | | | | | | | | | | | | | | | | |
| 6 | | | | | | | | | | | | | | | | | | |
| 7 | | | | | | | | | | | | | | | | | | |
| MC-10K | | 2 | | | | | | | | | | | | | | | | |
| | 3 | | | | | | | | | | | | | | | | | |
| | 4 | | | | | | | | | | | | | | | | | |
| | 5 | | | | | | | | | | | | | | | | | |
| | 6 | | | | | | | | | | | | | | | | | |
| | 7 | | | | | | | | | | | | | | | | | |
| | MC-30K | 2 | | | | | | | | | | | | | | | | |
| 3 | | | | | | | | | | | | | | | | | | |
| 4 | | | | | | | | | | | | | | | | | | |
| 5 | | | | | | | | | | | | | | | | | | |
| 6 | | | | | | | | | | | | | | | | | | |
| 7 | | | | | | | | | | | | | | | | | | |

Auto-centering Pan Options: Improve mass comparison by correcting eccentric loadings.



MC Series
with optional auto-centering pans



AD-8922A (Remote Controller)

Use the optional AD-8922A to operate the balance without directly touching it, minimizing vibration.

Precision balances with extended resolution

The MC Series may also be used as high resolution balances. Display weighing results with an extra decimal place not normally found in balances of this capacity. The extended resolution enables measurements of minute weight changes of heavy objects and small variations with heavy tare containers.



MC-10k



MC-6100
with glass breeze
break (standard)



Accumulation
Function



IP65

MC-10k/30k

Example Applications

- Precious metal weighing
- Fill ratio of gas cylinders
- Electronic & semiconductor manufacturing
- Moisture content of catalysts
- Pharmaceutical manufacturing
- Precision check-weighing with wider ranges
- Discharge from feeders (loss-in-weight)
- Cutting dust (contaminants) left on mechanical parts
- Particles trapped by particulate filters

Standard features for all MC Series models



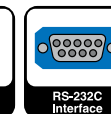
Super Hybrid
Sensor



VFD Display



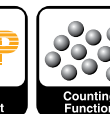
Internal
Calibration



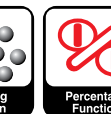
RS-232C
Interface



GLP
Compliant



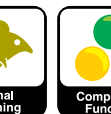
Counting
Function



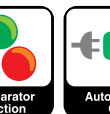
Percentage
Function



Animal
Weighing



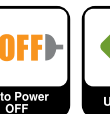
Comparator
Function



Auto Power
ON



Auto Power
OFF



Underhook

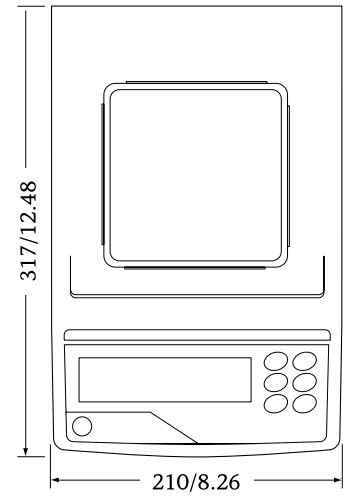
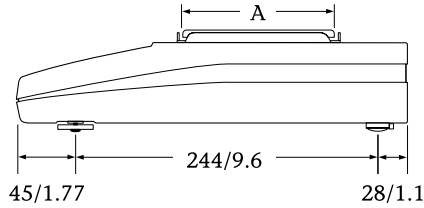
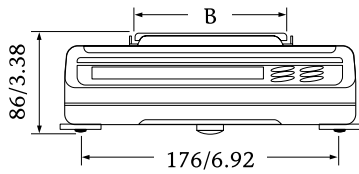


Software

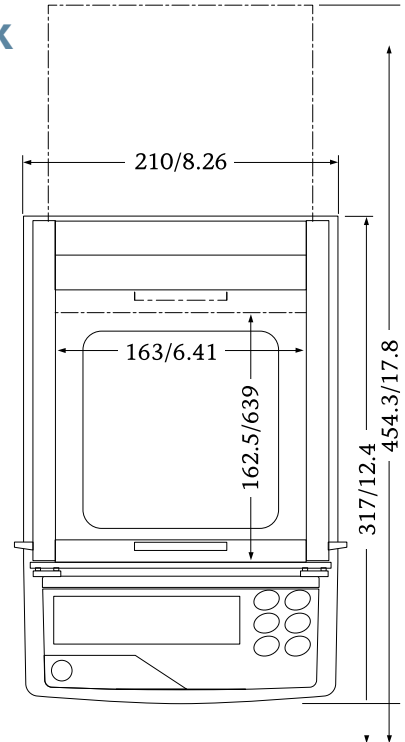
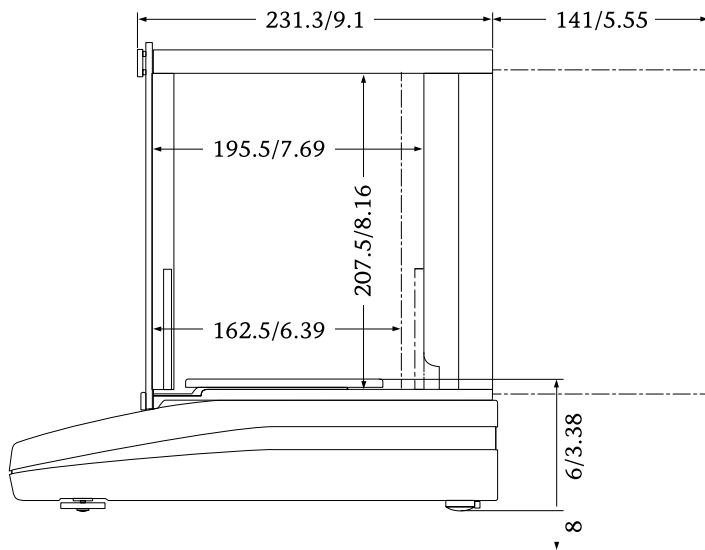
External Dimensions (mm/inches)

Pan size

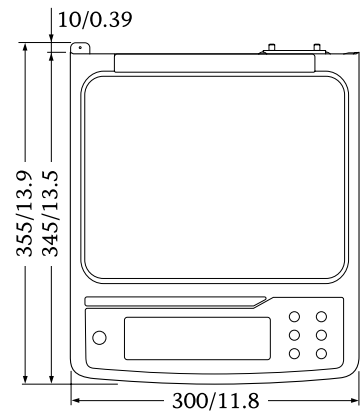
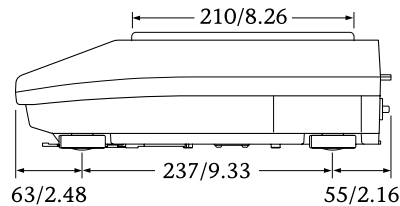
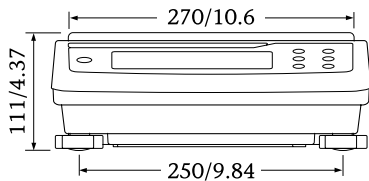
| Model | A | B |
|---------|------------|------------|
| MC-1000 | 128 / 5.04 | 128 / 5.04 |
| MC-6100 | 165 / 6.49 | 165 / 6.49 |



MC-1000 / 6100 with Glass Breeze Break



MC-10K / 30K



Options

For MC-1000/6100

- GX-02*2 Unidirectional Quick USB interface with cable
- GX-04*2 Comparator output with a buzzer / RS-232C / Current loop
- GX-06*2 Analog voltage output / Current loop
- GX-12 Animal weighing pan
- GX-13 Density determination kit (for MC-1000 only)

*2 GX-02, GX-04, GX-06, and the standard RS-232C interface cannot be used at the same time. Factory-installed options

For MC-10K/30K

- GX-04K*3 Comparator output with a buzzer / RS-232C / Current loop
- GX-06K*3 Analog voltage output / Current loop
- GX-07K Waterproof RS-232C cable (5 m)
- GX-12 Animal weighing pan
- GX-15 Carrying case

*3 GX-04K, GX-06K, and the standard RS-232C interface cannot be used at the same time. The MC-10K/30K are not IP65 compliant with these options.

Mass Comparator Accessories

- AX-MC1000PAN Auto-centering pan (MC-1000)
- AX-MC6100PAN Auto-centering pan (MC-6100)
- AX-MC10K/30KPAN Auto-centering pan (MC-10K/30K)
- AD-8922A Remote controller

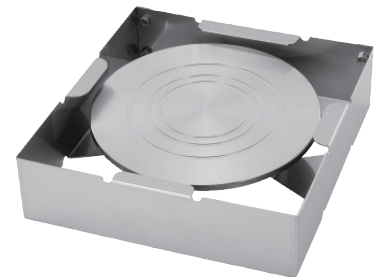
The auto-centering pan and the AD-8922A are purchased separately.

Accessories

- AD-1682 Rechargeable battery unit
- AD-1683 Static eliminator
- AD-1684 Electrostatic fieldmeter
- AD-1688 Weighing data logger
- AD-1689 Tweezers for calibration weight (Set of 5)
- AD-1192 Compact Printer
- AD-8121B Statistical printer
- SW:128 Foot switch
- KO:WW9/25 RS-232C cable (25P-9P, 2 m)
- AX-USB-2920-25P Serial/USB converter



AD-1683
Static Eliminator



Auto-centering pan



AD-1688
Weighing Data Logger

MC Series Specifications

| MODEL | MC-1000 | MC-6100 | MC-10K | MC-30K |
|--|---|---------------------------|--------------------------------|-------------------------|
| Weighing capacity | 1100 g | 6100 g | 10.1 kg | 31 kg |
| Minimum weighing value | 0.0001 g | 0.001 g | | 0.01 g |
| Repeatability (Standard Deviation)* ₁ | 0.0005 g / 1 kg to 500 g | 0.004 g / 5 kg to 2 kg | 0.005 g / 10 kg to 5 kg | 0.10 g / 30 kg to 20 kg |
| | 0.0004 g / less than 500 g | 0.0015 g / less than 2 kg | 0.004 g / 5 kg to 2 kg | |
| Linearity | ±0.003 g | ±0.03 g | ±0.03 g | ±0.2 g |
| Sensitivity drift (10 °C to 30 °C) | ±2 ppm / °C | | | ±3 ppm / °C |
| Operating temperature | 5 °C to 40 °C (41 °F to 104 °F), 85%RH or less (no condensation) | | | |
| Display refresh rate | 5 times / second or 10 times / second | | | |
| Standard interface | RS-232C | | | |
| Weighing pan size | 128 x 128 mm | 165 x 165 mm | 270 x 210 mm | |
| Power consumption | Approx. 11 VA (supplied by the AC adapter) | | | |
| External dimensions | 210 (W) x 317 (D) x 86 (H) mm | | 300 (W) x 355 (D) x 111 (H) mm | |
| Net weight | Approx. 4.6 kg | Approx. 5.1 kg | Approx. 9.3 kg | |
| Standard accessories | AC adapter, Instruction manual, Glass breeze break (MC-1000/6100) or Simple breeze break (MC-10K/30K), In-use cover, WinCT (CD-ROM) | | | |

*₁ Repeatability when the auto-centering pan or an automatic loading machine is used under good ambient conditions.

Minimum Display Values

| MODEL | MC-1000 | MC-6100 | MC-10K | MC-30K |
|---------|-----------|----------|----------|---------|
| kg | | | 0.000001 | 0.00001 |
| g | 0.0001 | 0.001 | | 0.01 |
| oz | 0.000005 | 0.00005 | | 0.0005 |
| lb | 0.0000005 | 0.000005 | | 0.00005 |
| lb-oz | 0.01 | | 0.001 | |
| Troy oz | 0.000005 | 0.00005 | | 0.0005 |
| carat | 0.0005 | 0.005 | | 0.05 |
| momme | 0.00005 | 0.0005 | | 0.005 |
| dwt | 0.0001 | 0.001 | | 0.01 |
| grain | 0.002 | 0.02 | | 0.2 |

